

SPARE PARTS SECTION

Hydraulic Ram Kit

Model PBR-10H

Order Code A365

Edition No : PBR-10H-3

Date of Issue : 07/2020

The following section covers the spare parts diagrams and lists that were current at the time this manual was originally printed. Due to continuous improvements of the machine, changes may be made at any time without notification.

HOW TO ORDER SPARE PARTS

1. Have your machines **model number, serial number & date of manufacture** on hand, these can be found on the specification plate mounted on the machine
2. A scanned copy of your parts list/diagram with required spare part/s identified.

NOTE: SOME PARTS MAY ONLY BE AVAILABLE AS AN ASSEMBLY

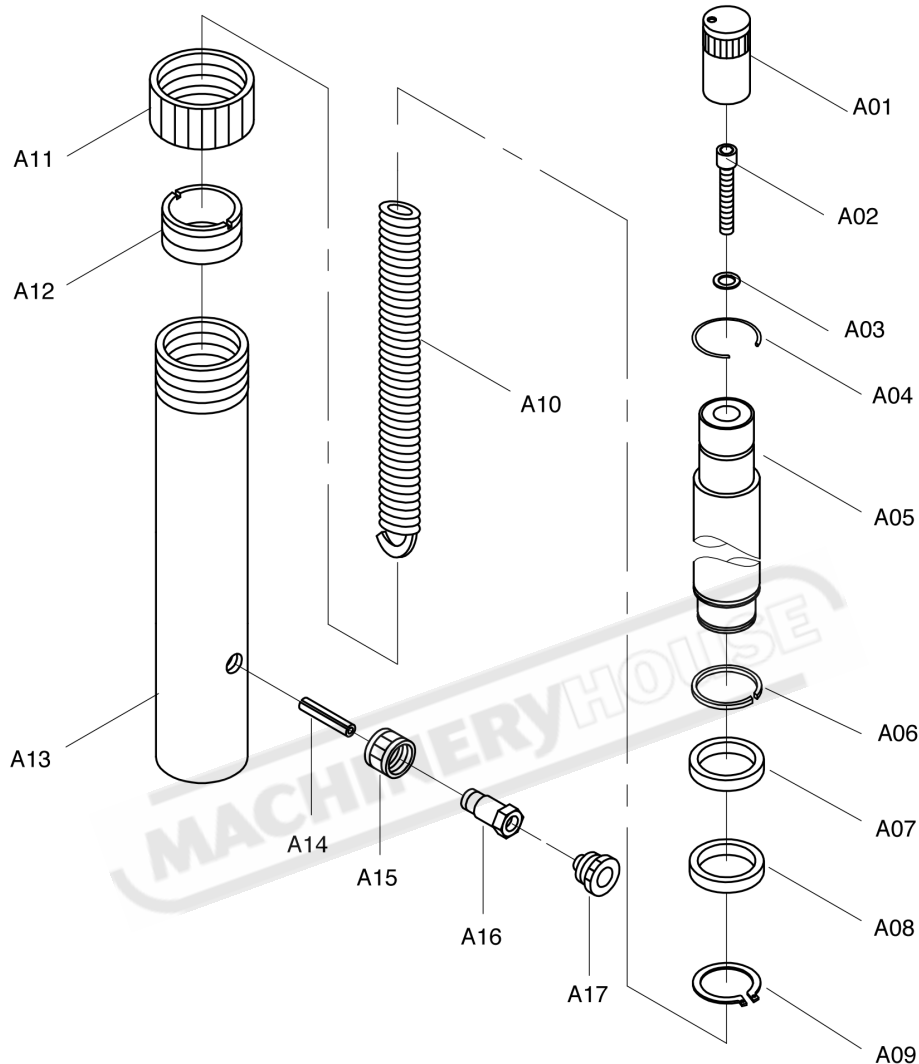
3. Go to www.machineryhouse.com.au/contactus and fill out the inquiry form attaching a copy of scanned parts list.

CONTENTS

Assembly Diagrams

10 Tonne Large Hydraulic Ram.....	10
10 Tonne Small Hydraulic Ram.....	11
4 Tonne Large Hydraulic Ram.....	12
4 Tonne Mini Hydraulic Ram.....	13
2 Tonne Hydraulic Ram.....	14
5 Tonne Hydraulic Pull Ram.....	15
2 Tonne Hydraulic Pull Ram Diagram.....	16
2 Tonne Hydraulic Pull Ram List.....	17

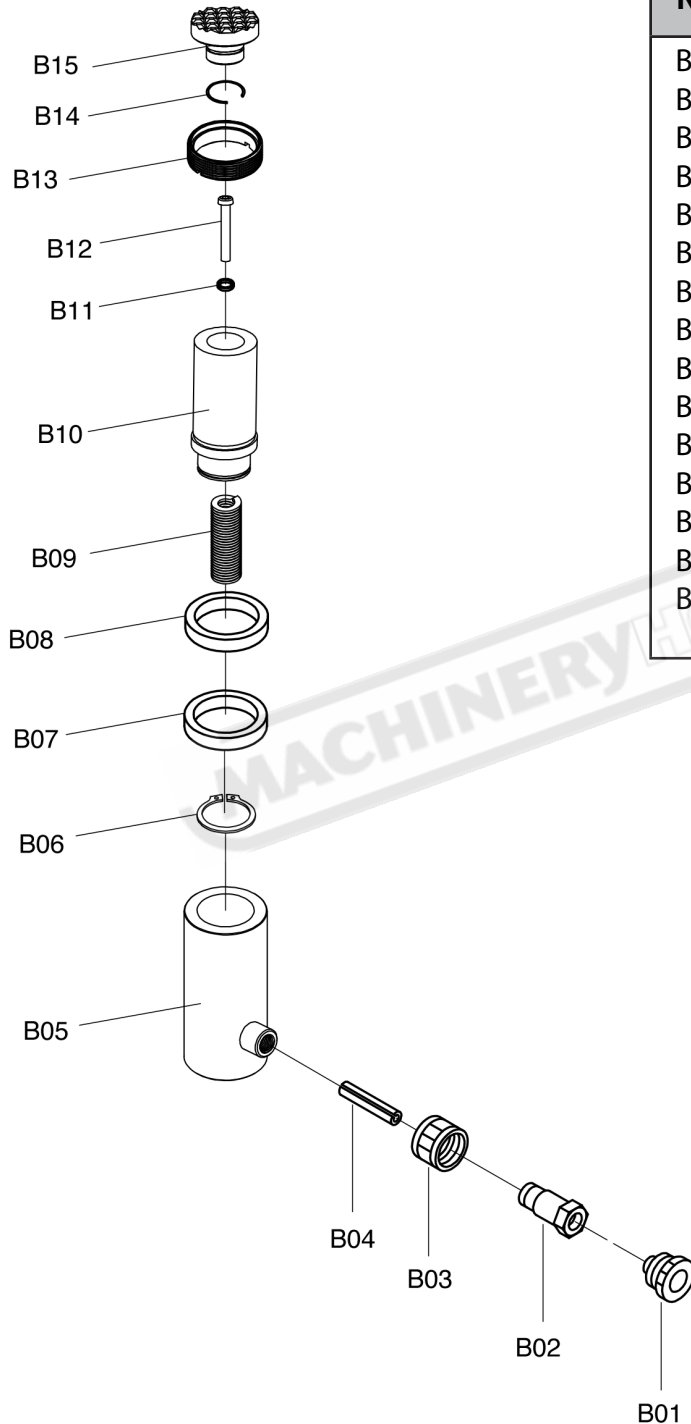
10 TONNE LARGE HYDRAULIC RAM



NO.	DESCRIPTION	Qty	NO.	DESCRIPTION	Qty
A01	PISTON ROD COVER	1	A10	SPRING	1
A02	SCREW	1	A11	CYLINDER COVER	1
A03	COPPER PAD	1	A12	LIMIT RING	1
A04	SNAP RING	1	A13	CYLINDER	1
A05	PISTON ROD	1	A14	PIN	1
A06	RING	1	A15	NUT	1
A07	WASHER	1	A16	FEMALE CONNECTOR	1
A08	U-RING	1	A17	DUST COVER	1
A09	RETAINING RING	1			

NOTE: SUPPLIED AS AN ASSEMBLY. INDIVIDUAL PARTS NOT AVAILABLE

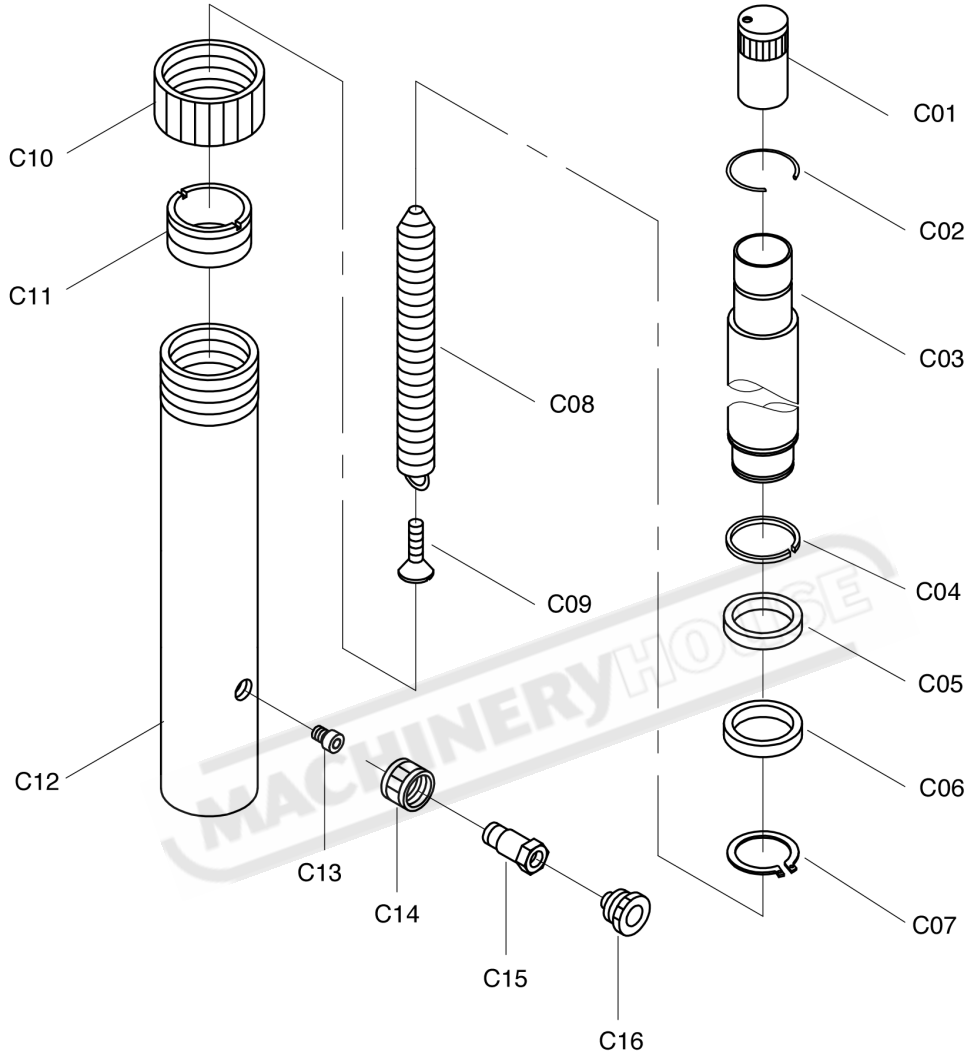
10 TONNE SMALL HYDRAULIC RAM



NO.	DESCRIPTION	Qty
B01	DUST COVER	1
B02	FEMALE CONNECTOR	1
B03	NUT	1
B04	PIN	1
B05	CYLINDER	1
B06	RETAINING RING	1
B07	U-RING	1
B08	WASHER	1
B09	SPRING	1
B10	PISTON ROD	1
B11	WASHER	1
B12	SCREW	1
B13	LIMIT RING	1
B14	SNAP RING	1
B15	SADDLE	1

NOTE: SUPPLIED AS AN ASSEMBLY. INDIVIDUAL PARTS NOT AVAILABLE

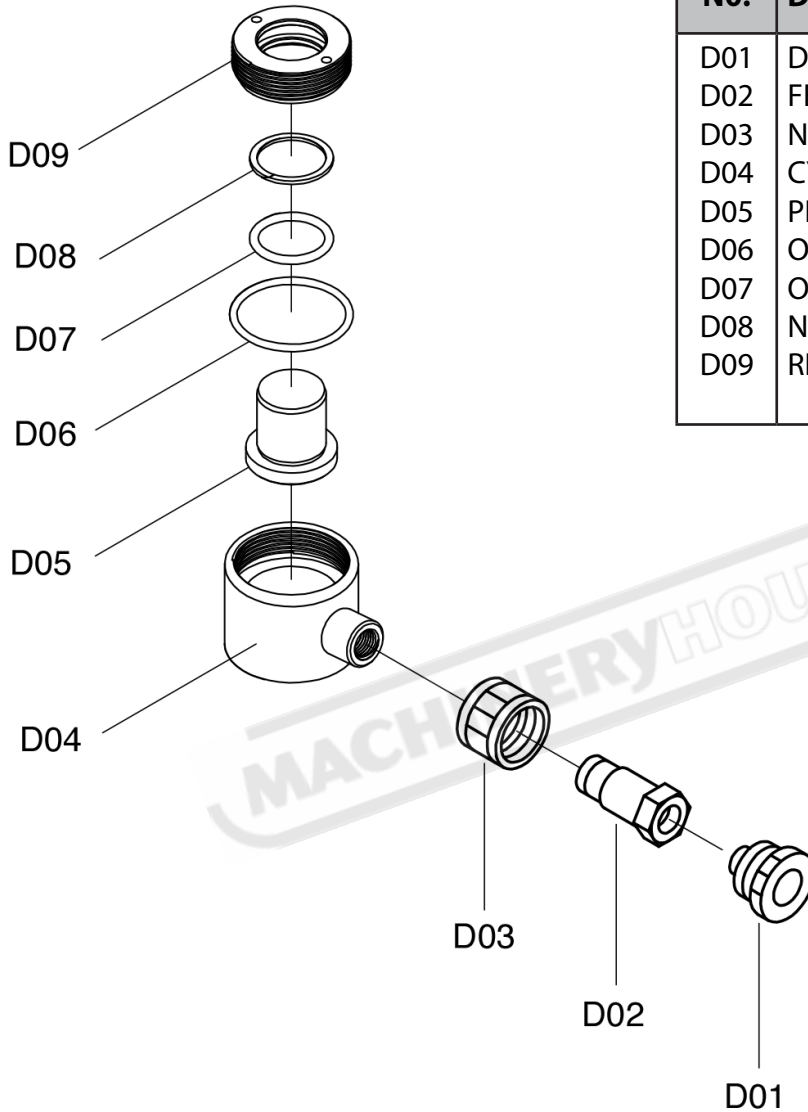
4 TONNE LARGE HYDRAULIC RAM



NO.	DESCRIPTION	Qty	NO.	DESCRIPTION	Qty
C01	PISTON ROD COVER	1	C09	SCREW	1
C02	SNAP RING	1	C10	CYLINDER COVER	1
C03	PISTON ROD	1	C11	LIMIT RING	1
C04	RING	1	C12	CYLINDER	1
C05	WASHER	1	C13	SCREW	1
C06	U-RING	1	C14	NUT	1
C07	RETAINING RING	1	C15	FEMALE CONNECTOR	1
C08	SPRING	1	C16	DUST COVER	1

NOTE: SUPPLIED AS AN ASSEMBLY. INDIVIDUAL PARTS NOT AVAILABLE

4 TONNE MINI HYDRAULIC RAM

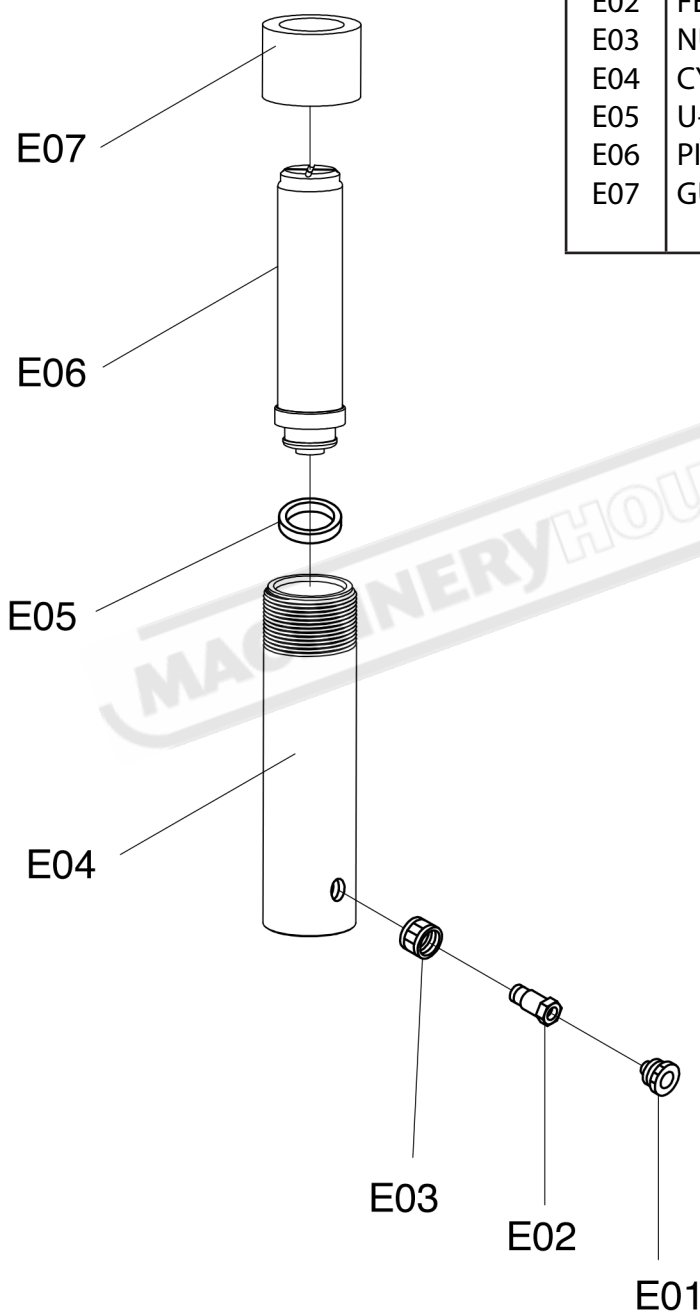


NO.	DESCRIPTION	Qty
D01	DUST COVER	1
D02	FEMALE CONNECTOR	1
D03	NUT	1
D04	CYLINDER	1
D05	PISTON ROD	1
D06	O-RING	1
D07	O-RING	1
D08	NYLON RING	1
D09	RETAINING RING	1

NOTE: SUPPLIED AS AN ASSEMBLY. INDIVIDUAL PARTS NOT AVAILABLE

2 TONNE HYDRAULIC RAM

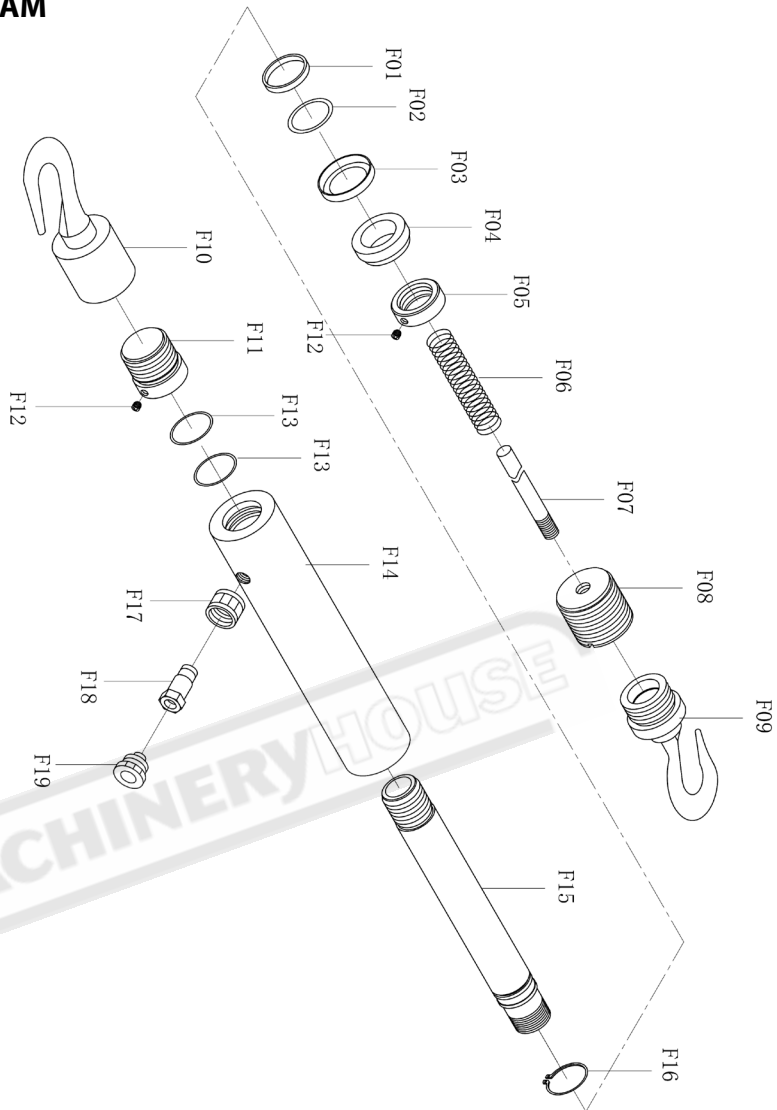
NO.	DESCRIPTION	Qty
E01	DUST COVER	1
E02	FEMALE CONNECTOR	1
E03	NUT	1
E04	CYLINDER	1
E05	U-RING	1
E06	PISTON ROD	1
E07	GUIDE SLEEVE	1



NOTE: SUPPLIED AS AN ASSEMBLY. INDIVIDUAL PARTS NOT AVAILABLE

OPERATION MANUAL

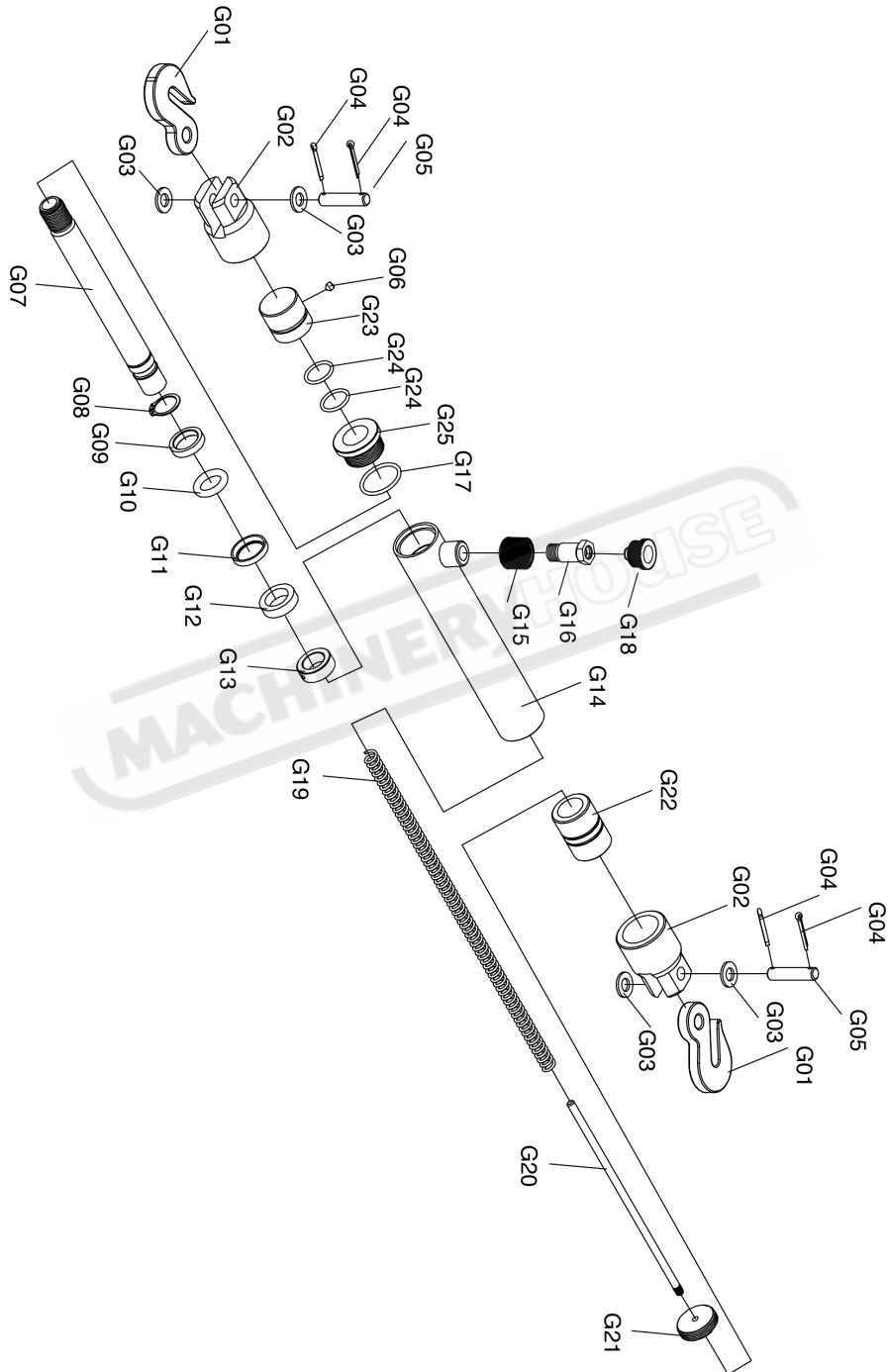
5 TONNE HYDRAULIC PULL RAM



NO.	DESCRIPTION	Qty	NO.	DESCRIPTION	Qty
F01	WASHER	1	F11	NUT	1
F02	O-RING	1	F12	SCREW	2
F03	WASHER	1	F13	O-RING	2
F04	WASHER	1	F14	CYLINDER	1
F05	SCREW	1	F15	PISTON ROD	1
F06	SPRING	1	F16	RETAINING RING	1
F07	SHAFT	1	F17	NUT	1
F08	NUT	1	F18	FEMALE CONNECTOR	1
F09	BOTTOM HOOK	1	F19	DUST COVER	1
F10	TOP HOOK	1			

NOTE: SUPPLIED AS AN ASSEMBLY. INDIVIDUAL PARTS NOT AVAILABLE

2 TONNE HYDRAULIC PULL RAM DIAGRAM



NOTE: SUPPLIED AS AN ASSEMBLY. INDIVIDUAL PARTS NOT AVAILABLE

OPERATION MANUAL**2 TONNE HYDRAULIC PULL RAM PARTS LIST**

NO.	DESCRIPTION	Qty	NO.	DESCRIPTION	Qty
G01	HOOK	2	G14	CYLINDER	1
G02	COUPLING	2	G15	NUT	1
G03	WASHER	4	G16	FEMALE CONNECTOR	1
G04	COTTER PIN	4	G17	O-RING	1
G05	PIN	2	G18	DUST COVER	1
G06	SCREW	1	G19	SPRING	1
G07	PISTON ROD	1	G20	SHAFT	1
G08	RETAINING RING	1	G21	SHAFT BASE	1
G09	LIMIT RING	1	G22	SCREW COUPLER	1
G10	O-RING	1	G23	PISTON ROD COVER	1
G11	WASHER	1	G24	O-RING	2
G12	WASHER	1	G25	PLUG	1
G13	NUT	1			

NOTE: SUPPLIED AS AN ASSEMBLY. INDIVIDUAL PARTS NOT AVAILABLE